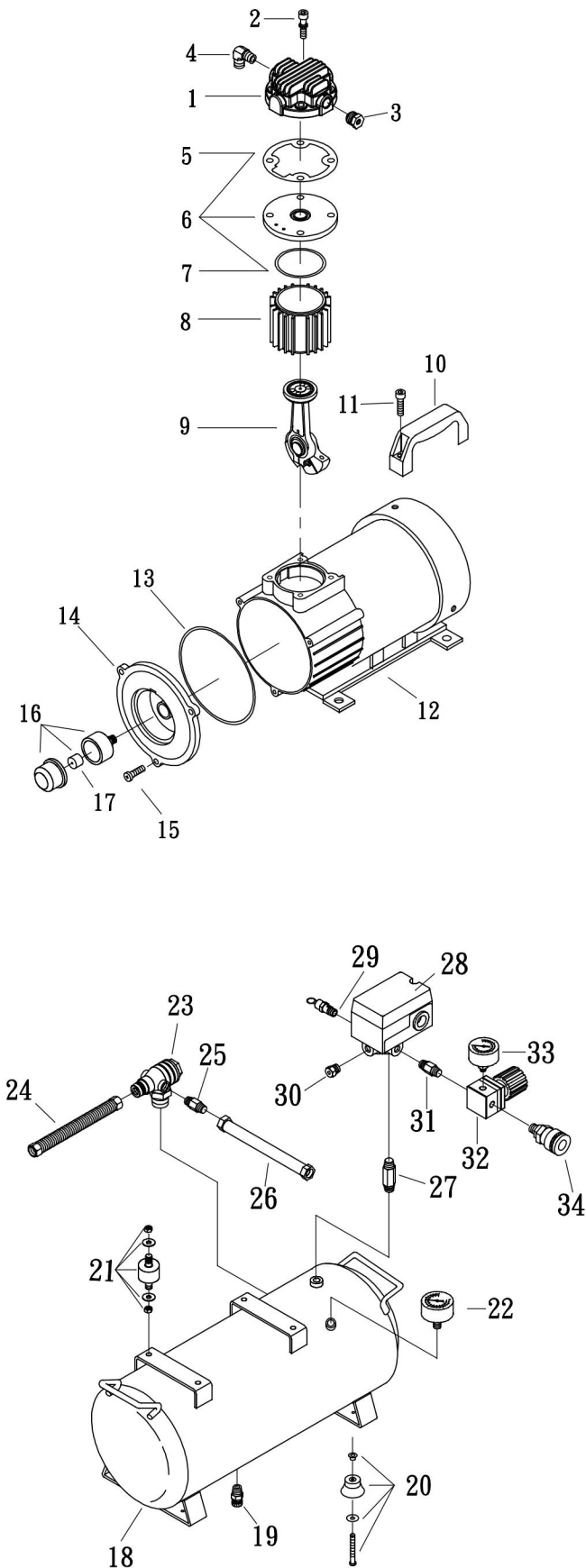


MODEL : PD1012A

SPARE PARTS LIST

NO : MP-1906



REF. NO.	DESCRIPTION	PART NO.	QTY.
1	Cylinder head	3101107	1
2	Allen bolt set	3B01-M06*080V	4
3	Plug	2B14-ST02E	1
4	Exhaust elbow	2N06-02T03HL	1
5	Cylinder head gasket	2G01-023H	1
6	Exhaust valve seat assembly	3B11-A9000A	1
7	Valve seat gasket	2G03-017	1
8	Cylinder	3201065	1
9	Piston rod balancer set	3B34-A5000	1
10	Tank handle	3432028	1
11	Hexagon socket set bolt	2B01-M08*016	2
12	Motor set	3B8-DN0712VH	1
13	Crankcase gasket	2G07-009	1
14	Filter support	2143016A	1
15	Round head bolt	2B02-FM5*015	3
16	Air filter set	2140035	1
17	Filter element	2142020	1
18	Air tank	3401L010	1
19	Drain valve	2405012	1
20	Rubber pad set	3433011-A	4
21	Body seat bolck	3439036-B	4
22	Pressure gauge	2D12-20D14KS	1
23	Check valve	2414036RX	1
24	Exhaust sofe tube	2T02-03*0420	1
25	Nipple	2N01-01T02HS	1
26	Tube set	3B2-02*170F	1
27	Nipple	2N01-02T02T070	1
28	Pressure switch	2E21-AA276DP	1
29	Pressure relief valve	2406018A	1
30	Plug	2B14-ST02E	1
31	Nipple	2N01-045	1
32	Regulator	2408008LNX	1
33	Pressure gauge	2D12-15D15KS	1
34	Quick coupler	07MS01/4M-B	1